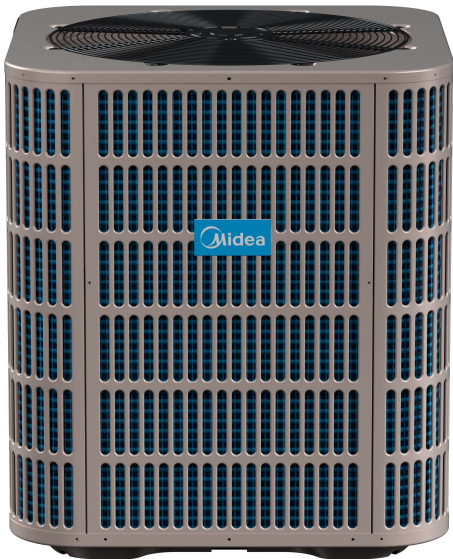




Midea M152A Series Air Conditioner

Up to 15.2 SEER2

Cooling capacity: 18 - 60kBTu/h



Contents:

| | |
|------------------------|---|
| 1 NOMENCLATURE..... | 2 |
| 2 SPECIFICATIONS..... | 3 |
| 4 DIMENSIONS..... | 5 |
| 3 WIRING DIAGRAMS..... | 6 |



Standard Features:

- R410A chlorine-free refrigerant.
- Energy-efficient compressor.
- Internally protection against high temperature motor overload conditions.
- High quality condenser with inner-groove copper tube and aluminum fin.
- Service valves with sweat connections and easy-access gauge ports.
- Factory-installed high pressure switch
- AHRI certified and ETL listed
- Optional drier filter as accessory.

Cabinet Features:

- Unique sound control top design.
- Compact design, easy installation and transportation.
- Powder-painted galvanized steel cabinet.
- Wire fan discharge grille.
- Steel louver coil guard

1 Nomenclature

| | | | | | | | | | | | |
|---|---|---|---|---|----|---|----|---|---|-----|----|
| M | O | V | A | - | 24 | C | N1 | - | M | 152 | G |
| 1 | 2 | 3 | 4 | | 5 | 6 | 7 | | 8 | 9 | 10 |

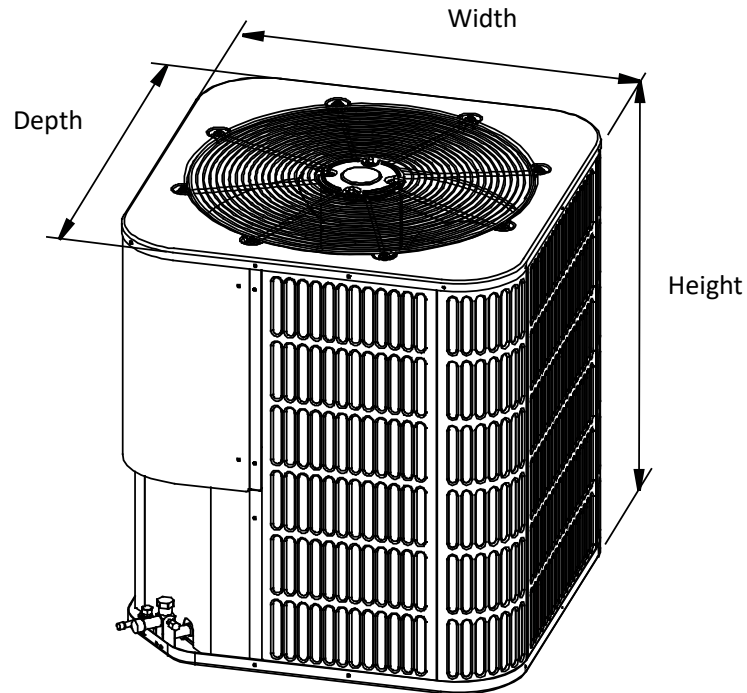
| Legend | | |
|--------|------|---|
| No. | Code | Remarks |
| 1 | M | Brand: Midea brand |
| 2 | O | Outdoor unit |
| 3 | V | Discharge type: vertical discharge |
| 4 | A | Version No.: A version |
| 5 | 24 | Capacity: 18: 18 kBtu/h; 24: 24 kBtu/h; 30: 30 kBtu/h; 36: 36 kBtu/h; 42: 42 kBtu/h; 48: 48 kBtu/h; 60: 60 kBtu/h; 61: 60 kBtu/h; |
| 6 | C | Unit type: C: cooling only; H: heat pump |
| 7 | N1 | Refrigerant type: N1: R410A |
| 8 | M | Power supply type: M: 1-Phase; X: 3- Phase |
| 9 | 152 | Efficiency: 134: 13.4 SEER; 152: 15.2 SEER |
| 10 | G | Compressor type: G: GMCC compressor; L: LG compressor |

2 Specifications

| | MOVA-18C N1-M152G | MOVA-24C N1-M152G | MOVA-30C N1-M152G | MOVA-36C N1-M152L |
|---------------------------------|------------------------------|------------------------------|------------------------------|------------------------------|
| NOMINAL CAPACITY | | | | |
| Cooling (BTU/h) | 18,000 | 24,000 | 30,000 | 36,000 |
| Heating (BTU/h) | / | / | / | / |
| ELECTRICAL DATA | | | | |
| Voltage / Phase (60 Hz) | 208/230 / 1 | 208/230 / 1 | 208/230 / 1 | 208/230 / 1 |
| Min. / Max. Voltage | 187/253 | 187/253 | 187/253 | 187/253 |
| MCA | 11.6 | 14.6 | 15.8 | 21 |
| MOP | 15 | 20 | 25 | 35 |
| COMPRESSOR | | | | |
| Type | Rotary | Rotary | Rotary | Scroll |
| Stage | Single | Single | Single | Single |
| RLA | 8 | 10.4 | 11.4 | 15 |
| LRA | 35 | 43 | 58 | 75 |
| Crankcase Heater | NO | NO | NO | NO |
| CONDENSER COIL | | | | |
| Type | Tube & Fin | Tube & Fin | Tube & Fin | Tube & Fin |
| Tube Size(O.D) | 3/16 | 3/16 | 3/16 | 3/16 |
| FAN MOTOR | | | | |
| Motor Type | ECM | ECM | ECM | ECM |
| Capacitor(μF) | / | / | / | / |
| Horsepower (HP) | 1-1/6 | 1-1/6 | 1-1/6 | 1-1/3 |
| Full Load Amps (FLA) | 1.6 | 1.6 | 1.6 | 2.2 |
| REFRIGERATION SYSTEM | | | | |
| Liquid Valve Size (O.D.) | 3/8 | 3/8 | 3/8 | 3/8 |
| Suction Valve Size (O.D.) | 3/4 | 3/4 | 3/4 | 3/4 |
| Liquid Line Size ("O.D.) | 3/8 | 3/8 | 3/8 | 3/8 |
| Suction Line Size ("O.D.) | 3/4 | 3/4 | 3/4 | 3/4 |
| Refrigerant Charge (lbs. - oz.) | 4 LBS.-14 OZ | 5 LBS.-12 OZ | 7 LBS.-5 OZ | 5 LBS.-9 OZ |
| Superheat(°F) | 9°F | 9°F | 9°F | 9°F |
| OPERATION RANGE | | | | |
| Cooling(°F) | 55-115 | 55-115 | 55-115 | 55-115 |
| Heating(°F) | / | / | / | / |
| SOUND POWER (DB) | 70 | 73 | 72 | 75 |

Specifications

| | MOVA-42C N1-M152L | MOVA-48C N1-M152L | MOVA-60C N1-M152L | MOVA-61C N1-M152L |
|---------------------------------|----------------------|----------------------|----------------------|----------------------|
| NOMINAL CAPACITY | | | | |
| Cooling (BTU/h) | 42,000 | 48,000 | 60,000 | 61,000 |
| Heating (BTU/h) | / | / | / | / |
| ELECTRICAL DATA | | | | |
| Voltage / Phase (60 Hz) | 208/230 / 1 | 208/230 / 1 | 208/230 / 1 | 208/230 / 1 |
| Min. / Max. Voltage | 187/253 | 187/253 | 187/253 | 187/253 |
| MCA | 24.9 | 25.2 | 35.1 | 38.9 |
| MOP | 45 | 45 | 60 | 60 |
| COMPRESSOR | | | | |
| Type | Scroll | Scroll | Scroll | Scroll |
| Stage | Single | Single | Single | Two-stage |
| RLA | 18.1 | 18.4 | 26.3 | 29.3 |
| LRA | 112 | 94 | 127 | 118 |
| Crankcase Heater | NO | NO | NO | NO |
| CONDENSER COIL | | | | |
| Type | Tube & Fin | Tube & Fin | Micro Channel | Tube & Fin |
| Tube Size(O.D) | 3/16 | 3/16 | - | 9/32 |
| FAN MOTOR | | | | |
| Motor Type | ECM | ECM | ECM | ECM |
| Capacitor(μF) | / | / | / | / |
| Horsepower (HP) | 1-1/3 | 1-1/3 | 1-1/3 | 1-1/3 |
| Full Load Amps (FLA) | 2.2 | 2.2 | 2.2 | 2.2 |
| REFRIGERATION SYSTEM | | | | |
| Liquid Valve Size (O.D.) | 3/8 | 3/8 | 3/8 | 3/8 |
| Suction Valve Size (O.D.) | 7/8 | 7/8 | 7/8 | 7/8 |
| Liquid Line Size ("O.D.) | 3/8 | 3/8 | 3/8 | 3/8 |
| Suction Line Size ("O.D.) | 7/8 | 7/8 | 11/8 | 11/8 |
| Refrigerant Charge (lbs. - oz.) | 8 LBS.-1 OZ | 8 LBS.-10 OZ | 7 LBS.-14 OZ | 10 LBS.-14 OZ |
| Superheat(°F) | 9°F | 9°F | 9°F | 9°F |
| OPERATION RANGE | | | | |
| Cooling(°F) | 55-115 | 55-115 | 55-115 | 55-115 |
| Heating(°F) | / | / | / | / |
| SOUND POWER (DB) | 75 | 76 | 77 | 78 |

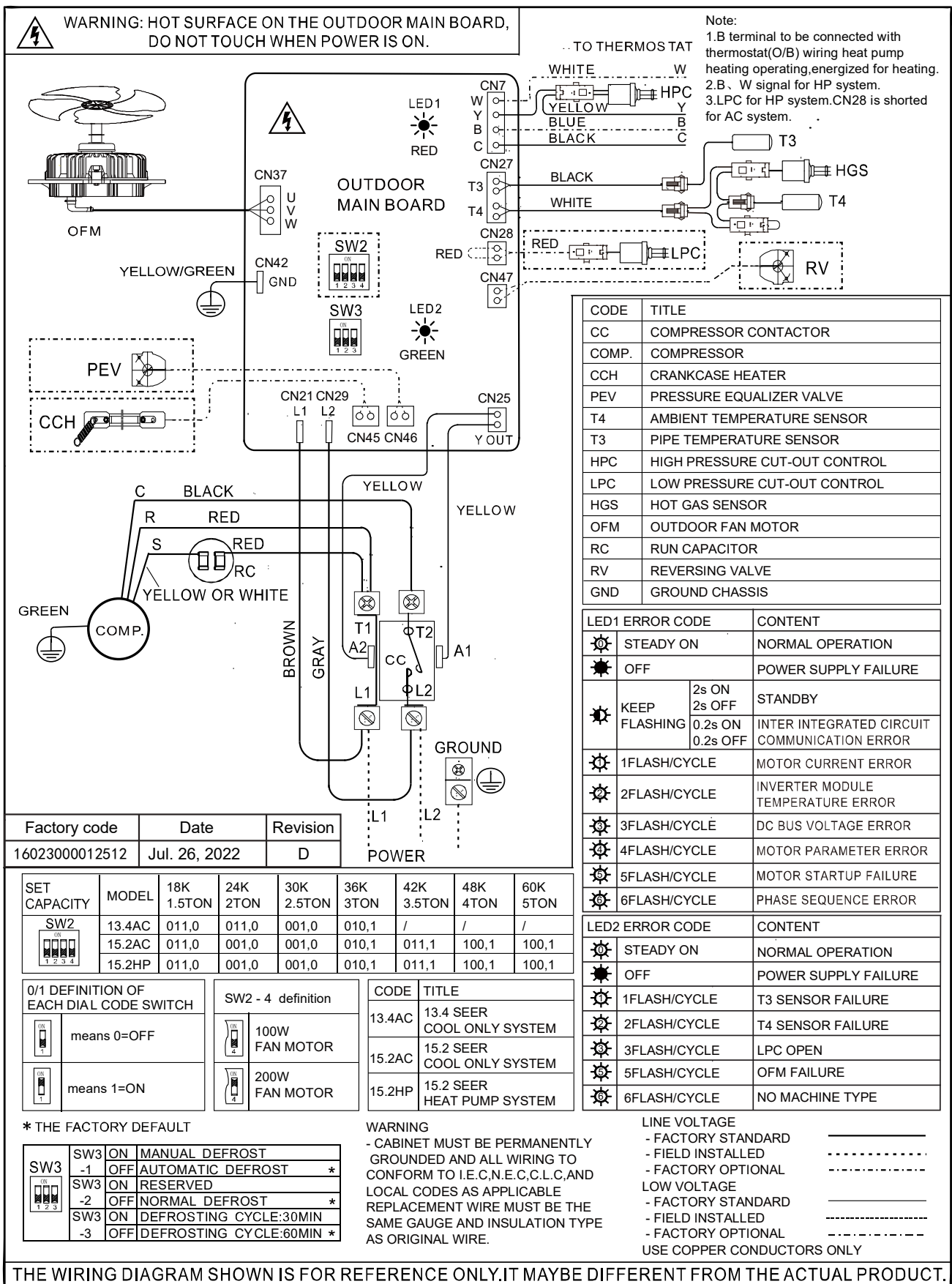
3 Dimensions


| | MOVA-18C N1-M152G | MOVA-24C N1-M152G | MOVA-30C N1-M152G | MOVA-36C N1-M152L |
|-----------------------------------|------------------------------|------------------------------|------------------------------|------------------------------|
| UNIT DIMENSION AND WEIGHTS | | | | |
| Height (in.) | 24-15/16 | 24-15/16 | 33-3/16 | 24-15/16 |
| Width (in.) | 23-5/8 | 28 | 28 | 29-1/8 |
| Depth (in.) | 23-5/8 | 28 | 28 | 29-1/8 |
| Weight (lbs.) | 117 | 132 | 156 | 154 |

| | MOVA-42C N1-M152L | MOVA-48C N1-M152L | MOVA-60C N1-M152L | MOVA-61C N1-M152L |
|-----------------------------------|------------------------------|------------------------------|------------------------------|------------------------------|
| UNIT DIMENSION AND WEIGHTS | | | | |
| Height (in.) | 33-3/16 | 33-3/16 | 33-3/16 | 33-3/16 |
| Width (in.) | 29-1/8 | 29-1/8 | 29-1/8 | 29-1/8 |
| Depth (in.) | 29-1/8 | 29-1/8 | 29-1/8 | 29-1/8 |
| Weight (lbs.) | 191 | 191 | 194 | 216 |

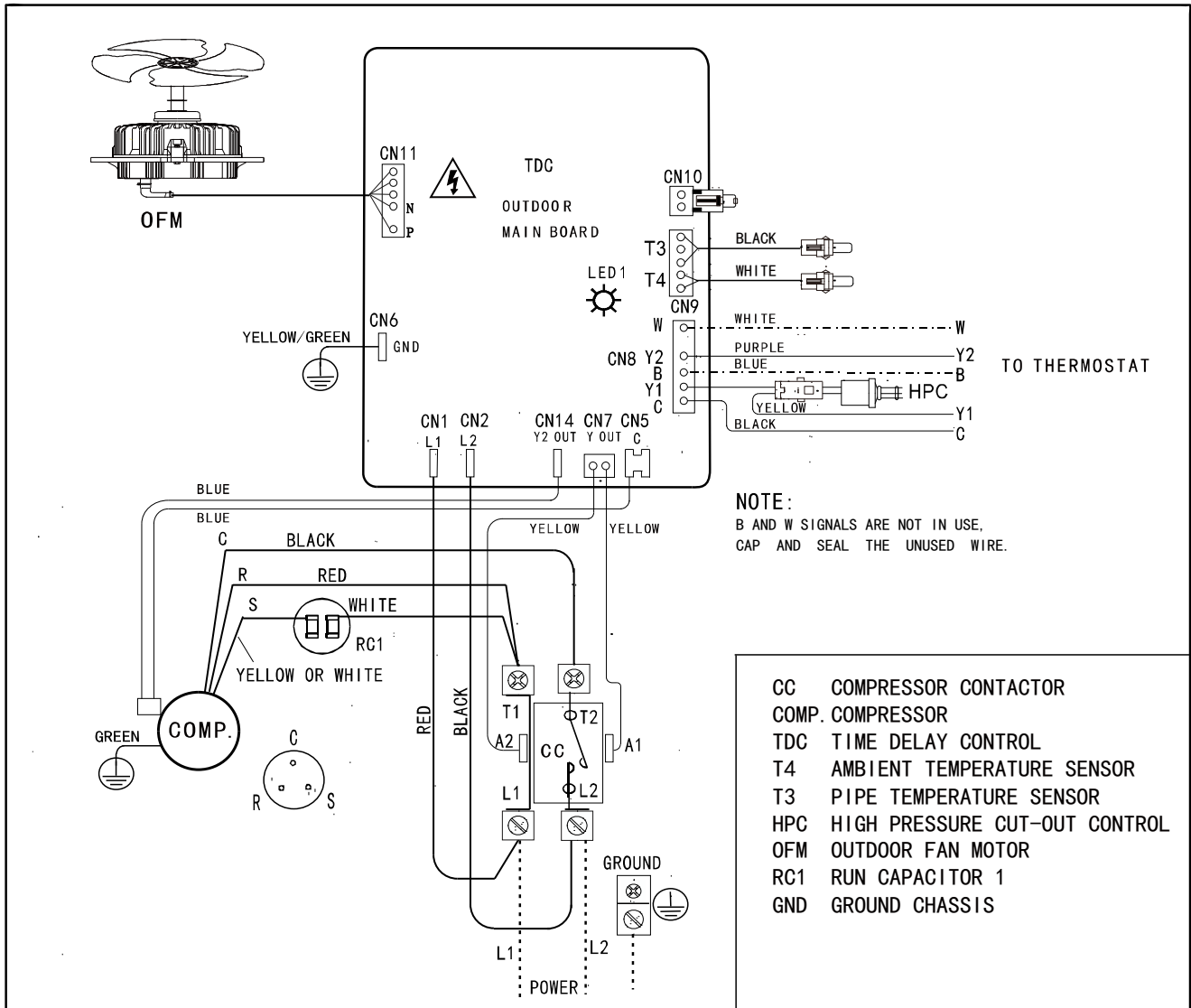
4 Wiring Diagrams

MOVA-18CN1-M152G; MOVA-24CN1-M152G; MOVA-30CN1-M152G; MOVA-36CN1-M152L; MOVA-42CN1-M152L; MOVA-48CN1-M152L; MOVA-60CN1-M152L



Wiring Diagrams

MOVA-61CN1-M152L



| | | |
|--|-----------|------------------|
| | STEADY ON | NORMAL OPERATION |
| | OFF | TDC FAILURE |
| | 5FLASH | OFM FAILURE |

LINE VOLTAGE

- FACTORY STANDARD _____
- FIELD INSTALLED (dotted line)
- FACTORY OPTIONAL - - - - - (dashed line)

LOW VOLTAGE

- FACTORY STANDARD _____
- FIELD INSTALLED (dotted line)
- FACTORY OPTIONAL - - - - - (dashed line)

USE COPPER CONDUCTORS ONLY

WARNING

- CABINET MUST BE PERMANENTLY GROUNDED AND ALL WIRING TO CONFORM TO I. E. C., N. E. C., C. L. C., AND LOCAL CODES AS APPLICABLE
- REPLACEMENT WIRE MUST BE THE SAME GAUGE AND INSULATION TYPE AS ORIGINAL WIRE.

Midea Building Technologies Division
Midea Group

Add.: Midea Headquarters Building, 6 Midea Avenue, Shunde, Foshan, Guangdong, China

Postal code: 528311

mbt.midea.com / global.midea.com / tsp.midea.com

Note: Product specifications change from time to time as product improvements and developments are released and may vary from those in this document.

